

# ***Rogue EMP 210 PRO***

# ***Revenge EMP 210 PRO***

# ***Rogue EM 180***



## **Spare parts list**

<b>Ordering no.</b>	<b>Denomination</b>	<b>Note</b>
0700 301 092	Rogue EMP 210 PRO	Welding power source
0700 301 080	Rogue EMP 210 PRO (MX)	Welding power source
0700 301 090	Revenge EMP 210 PRO	Welding power source
0700 301 091	Rogue EM 180	Welding power source

Spare parts may be ordered through your nearest ESAB dealer, see [esab.com](http://esab.com). When ordering, please state product type, serial number, denominations and ordering numbers according to the spare parts list. This facilitates dispatch and ensures correct delivery.

Maintenance and repair work should be performed by an experienced person, and electrical work only by a trained electrician. Use only recommended spare parts.

For accessories to the product, see the instruction manual.

The three last digits in the document number of the manual show the version of the manual. Therefore they are replaced with \* here. Make sure to use a manual with a serial number or software version that corresponds with the product, see the front page of the manual.

TABLE OF CONTENTS

---

- 1 SPARE PARTS ..... 4**
  - 1.1 Housing module ..... 4**
  - 1.2 Connection parts ..... 6**
  - 1.3 User interface Rogue EMP 210 PRO, Revenge EMP210 PRO ..... 9**
  - 1.4 User interface Rogue EM 180 ..... 10**
  - 1.5 Spool hub assembly ..... 11**

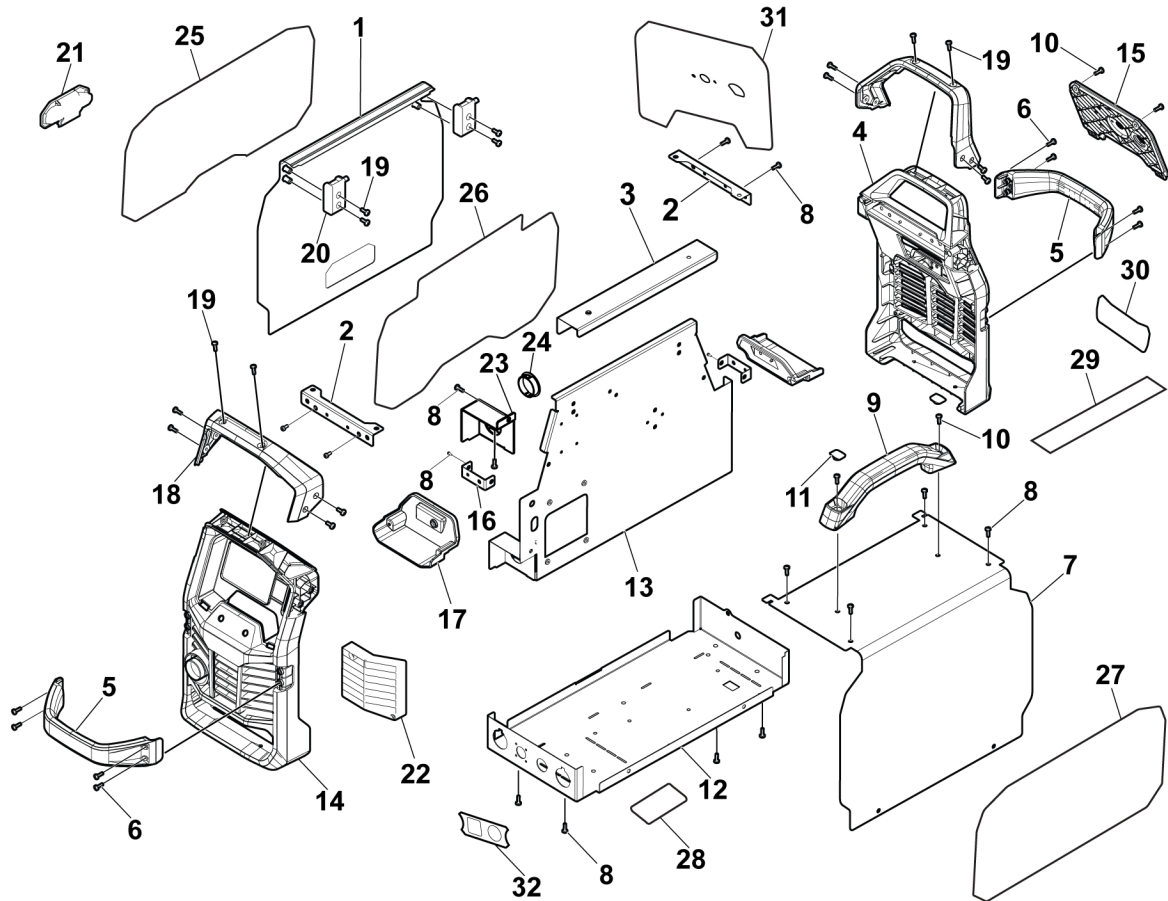
# 1 SPARE PARTS

## 1.1 Housing module

C = Component designation in the circuit diagram					
Item	Qty	Ordering no.	Denomination	Notes	C
1	1	0558 102 972	Door panel	Rogue (no label)	
2	2		Connecting bracket	Front/rear	
3	1		Connecting bracket	Lifting handle	
4	1	0558 111 142	Rear panel	EM/EMP/ET	
5	2	0558 111 143	Front/rear handle	EM/EMP	
6	8	0558 102 968	Pan head screw	M4×12, T-20, black	
7	1	0558 102 983	Cover	Rogue EM/EMP (no label)	
8	21		Pan head screw	M5×25, T-25, black	
9	1	0464 670 007	Handle	Without covers	
10	6		Pan head screw	M5×25, t_25, black	
11	2	0558 102 999	Cover	Screw blind hole	
12	1	0558 102 935	Base	Rogue EM/EMP (no label)	
13	1		Center baffle	Rogue EM/EMP	
14	1	0558 111 140	Front panel	EM/EMP	
15	1	0558 111 154	Mains mount panel	EM/EMP/ET	
16	2		Center baffle bracket	Rogue EM/EMP	
17	2	0558 111 148	Access panel cover	Front/rear, EM/EMP/ET	
18	2	0558 111 144	Top cover handle	EM/EMP/ET	
19	17		Pan head screw	M4×8, T-20, black	
20	2	0558 111 151	Door hinge	EM/EMP	
21	1	0558 111 152	Door latch	EM/EMP	
22	1	0558 111 149	IP louver panel	EM/EMP	
23	1		Weld output cover		
24	1		Bulkhead acces cover		
25	1	0558 111 115	Side label	Rogue	
		0558 103 110			
26	1	0558 111 099	Door par.chart label	Rogue EMP 210 Pro	
		0558 111 108		Revenge EMP 210 PRO	
		0558 111 105		Rogue EM 180	
27	1	0558 111 114	Side label	ESAB	
28	1		Rating label		
29	1		General precautionary label	CSA, Rogue EM 180	

1 SPARE PARTS

C = Component designation in the circuit diagram					
Item	Qty	Ordering no.	Denomination	Notes	C
30	1		Lower rear gas label	180/210 CE	
31	1		Upper rear mains label	120/230 V, (Rotary) CE/UKCA	
32	1		Lower front remote polarity label		

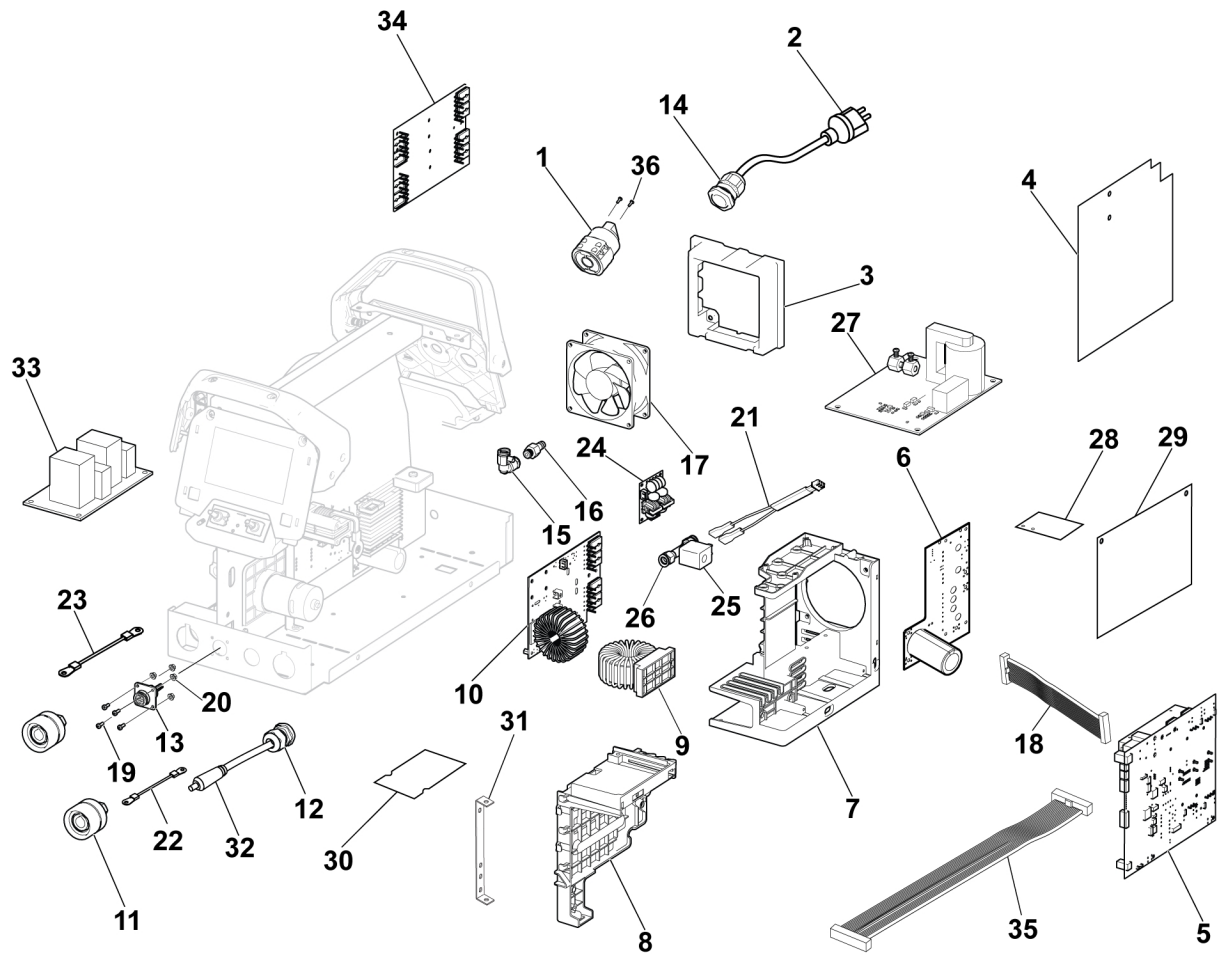


## 1.2 Connection parts

<b>C = Component designation in the circuit diagram</b>					
<b>Item</b>	<b>Qty</b>	<b>Ordering no.</b>	<b>Denomination</b>	<b>Notes</b>	<b>C</b>
1	1	0464 674 013	Rotary switch	1T/1P, 20 A/690 V	2QF1
2	1	0464 674 011	Mains cable	3×2.5 mm <sup>2</sup> ×3.8 m, SOOW, 250 V, 16 A plug, Rogue EMP 210 PRO, Rogue EM 180	
		0700 401 907		3×2.5 mm <sup>2</sup> ×3.8 m, SOOW, 250 V, 16 A plug, Revenge EMP 210 PRO	
3	1		Fan shroud		
4	2		Primary/secondary insulator		
5	1	0558 102 938	Main control inverter PCBA		15AP1
6	1	0464 673 004	PFC PCBA		17AP1
7	1		Power block mounting support		
8	1		Insulating mounting support		
9	1		PFC inductor		
10	1	0558 102 952	Rectifier PCBA		20AP1
11	2	0558 102 978	OKC connector	Female, with insulator, 50 mm <sup>2</sup>	
12	1	0558 102 976	Cable strain relief connector	EG-13.5	
13	1	0558 102 975	Trigger with harness receptacle	8-pin	
14	1	0464 674 002	Cable strain relief connector	EG-16	
15	1		Female-male tracheal joint fitting	90o	
16		0558 102 944	Gas fitting	Snap fit	
17	1	0558 102 971	Fan with leads	Rogue EMP 210 PRO	15EV1
		0558 102 946		Rogue EM 180	
18	1	0558 102 959	Ribbon cable	8P×150 mm, Connection: 15AP1 CN503 to 13AP1 CN102	
19	4		Pan head screw	M3×8, T-10, black	
20	4		Hex nut	M3	
21	1	0558 102 958	Gas valve lead set		
22	1	0558 102 963	Negative weld cable	5 AWG/16 mm <sup>2</sup> , 190 mm	

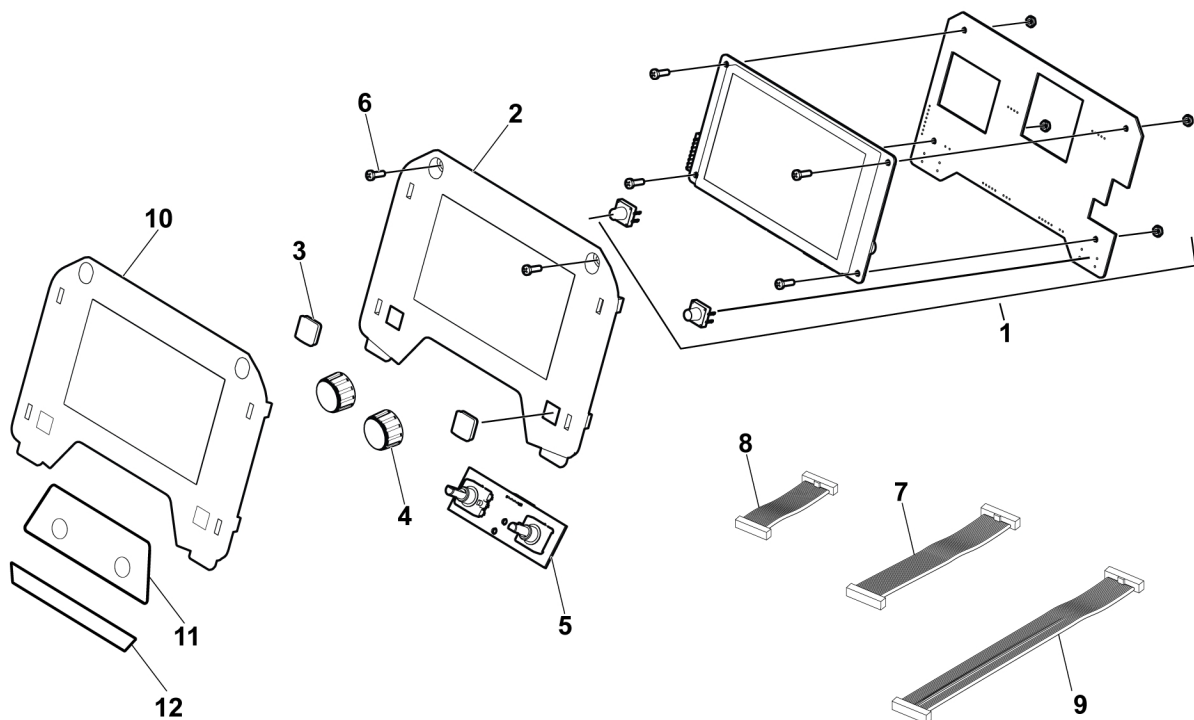
1 SPARE PARTS

<b>C = Component designation in the circuit diagram</b>					
<b>Item</b>	<b>Qty</b>	<b>Ordering no.</b>	<b>Denomination</b>	<b>Notes</b>	<b>C</b>
23	1	0558 102 955	Positive weld cable	5 AWG/16 mm <sup>2</sup> , 280 mm, Rogue EMP 210 PRO	
		0558 102 940		5 AWG/16 mm <sup>2</sup> , 280 mm, Rogue EM 180	
24	1	0558 102 973	Filter remote PCBA		21AP1
25	1	0558 102 977	Gas valve	24 V DC, 0.8 MPa (116 psi)	
26	2	0558 102 979	Female-male tracheal joint fitting		
27	1	0558 102 950	Wire feed control PCBA		
28	1		Air baffle		
29	1	0558 102 966	Main PCBA insulator		
30	1	0558 102 965	EMC insulator		
31	1		Grounding busbar		
32	1	0558 102 957	Polarity reversing cable	Male, 50 mm <sup>2</sup> , Rogue EMP 210, Revenge EMP 210 PRO	
		0558 102 942		Male, 50 mm <sup>2</sup> , Rogue EM 180	
33	1	0558 102 937	Primary/EMC filter interconnect PCBA		2AP1
34	1	0558 102 939	Synergic selection PCBA	Rogue EM 180	1AP2
35	1	0558 102 960	Ribbon cable	5P×300 mm, connection: 15AP1 to 17AP1, Rogue EMP 210 PRO, Revenge EMP 210 PRO	
		0700 401 843		3P×300 mm, connection: 15AP1 to 17AP1, Rogue EM 180	
36	2	0558 102 969	Counter sunk screw	M4×8, Phillips, black	



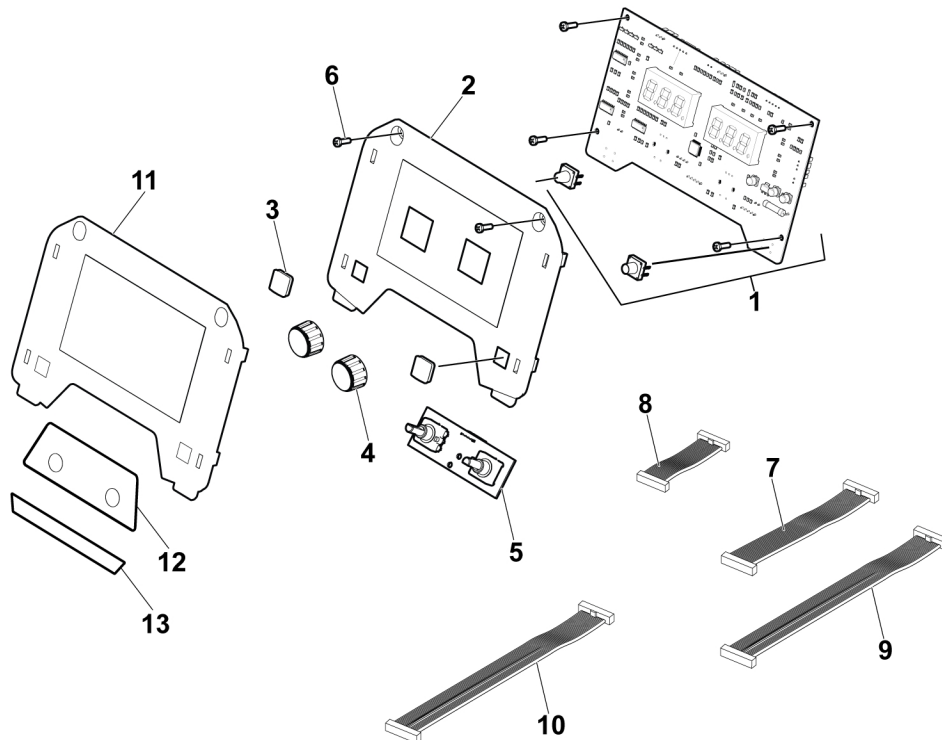
### 1.3 User interface Rogue EMP 210 PRO, Revenge EMP210 PRO

C = Component designation in the circuit diagram					
Item	Qty	Ordering no.	Denomination	Notes	C
1	1	0558 102 948	TFT Control panel PCBA	Rogue EMP 210 PRO	1AP1
		0558 102 869		Revenge EMP 210 PRO	
2	1	0558 111 156	Mount panel UI	Rogue EMP 210, Rogue EM 180	
3	2	0464 672 003	Push button cover	Rubber	
4	1	0464 672 004	Control knob		
5	1	0558 102 953	Push-button encoder control PCBA		1AP2
6	2		Pan head screw	M5×25, T-25, black	
7	1	0558 102 961	Ribbon cable		
8	1	0558 102 962	Ribbon cable		
9	1	0558 102 960	Ribbon cable	5P×300 mm, connection: 1AP2 CN3 to 21AP1 CN2	
10	1	0558 111 134	User interface label	Rogue EMP 210 PRO, Revenge EMP210 PRO	
11	1		Front encoder label		
12	1		Label	EMP 210 PRO	



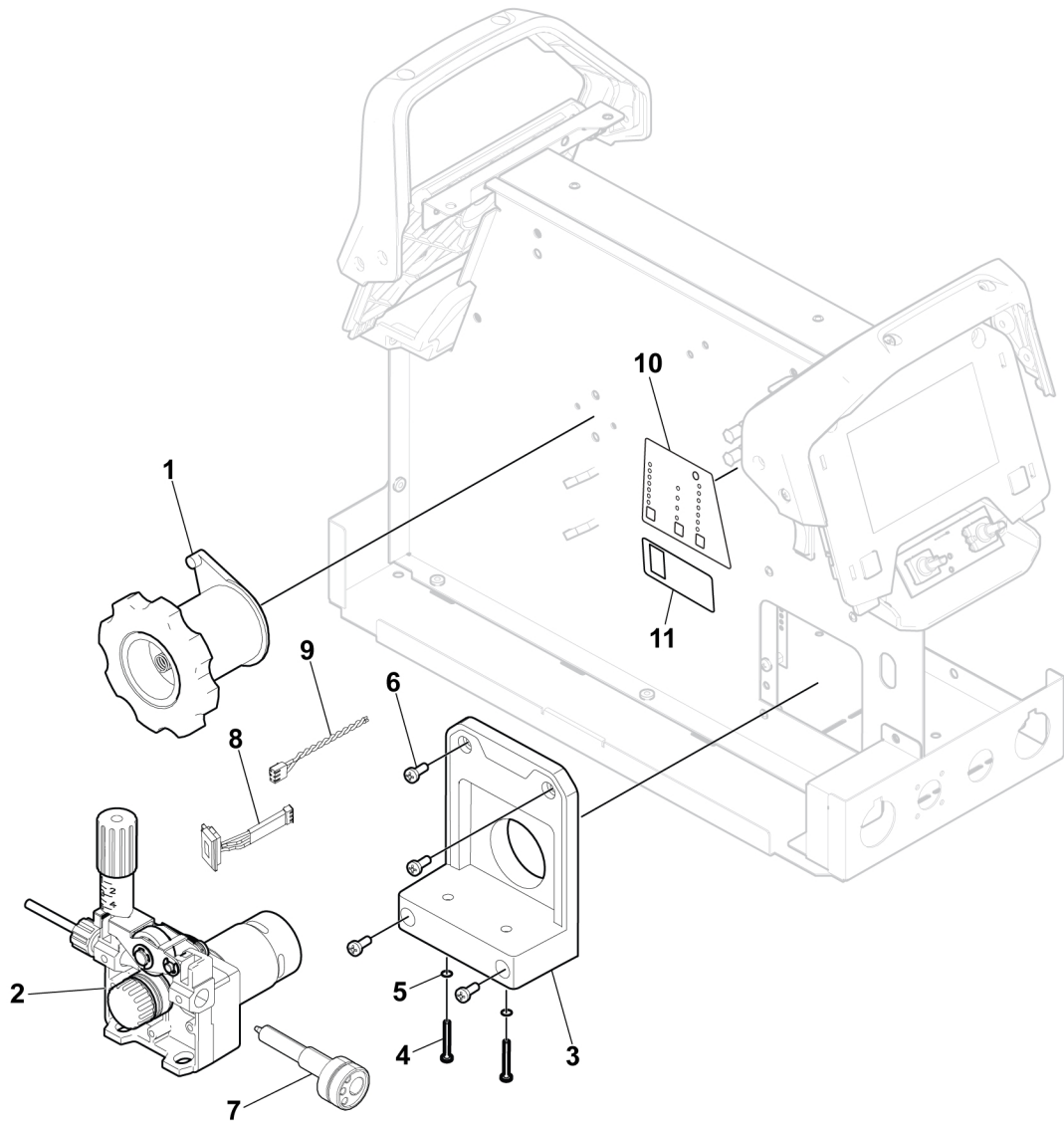
## 1.4 User interface Rogue EM 180

C = Component designation in the circuit diagram					
Item	Qty	Ordering no.	Denomination	Notes	C
1	1	0558 102 936	UI control PCBA	EM 180	1AP1
2	1	0558 111 155	Mount panel UI	EM/EMP PRO	
3	2	0464 672 003	Push button cover	Rubber	
4	1	0464 672 004	Control knob		
5	1	0558 102 986	Encoder control PCBA		1AP2
6	2		Pan head screw	M5×25, T-25, black	
7	1	0558 102 961	Ribbon cable		
8	1	0558 102 991	Ribbon cable		
9	1	0558 102 960	Ribbon cable	5P×300 mm, connection: 1AP2 CN3 to 21AP1 CN2	
10	1	0558 102 959	Ribbon cable	8P×150 mm Connection: 1AP1 to 1AP2	
11	1	0558 111 133	User interface label	Rogue EM 180	
12	1		Front encoder label		
13	1		Label	Rogue EM 180	



## 1.5 Spool hub assembly

<b>C = Component designation in the circuit diagram</b>					
<b>Item</b>	<b>Qty</b>	<b>Ordering no.</b>	<b>Denomination</b>	<b>Notes</b>	<b>C</b>
1	1	0558 103 001	Spool hub assembly		
2	1	0558 102 981	Wire drive gear box	With motor and drive	
3	1	0558 102 934	Drive stand support	EM/EMP, CE	
4	2		Pan head screw	M6×20, #2 Phillips, black	
5	2		Locking nut	M6	1AP2
6	6		Pan head screw	M5×12, T25, black	
7	1	0558 102 943	Torch connector	Euro	
8	1	0558 102 933	InchPurge momentary rocker switch	2P/2T with leads, Rogue EMP 210 PRO	13XS1
		0558 102 994		2P/2T with leads, Rogue EM 180, Revenge EMP 210 Pro	
10	1	0558 102 964	Wire drive harness		
11	1		Synergic panel label	EM 180, CE	
12	1		Jog/purge caution label		







# A WORLD OF PRODUCTS AND SOLUTIONS.



For contact information visit [esab.com](http://esab.com)

ESAB AB, Lindholmsallén 9, Box 8004, 402 77 Gothenburg, Sweden, Phone +46 (0) 31 50 90 00

[manuals.esab.com](http://manuals.esab.com)

